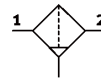


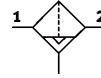
FEF Series Air Preparation Unit



FEF



Manual drain



Semi or full auto drain

How to Order?

Series No.	Type Code	Port Size	Filter Precision	Body Dimension	Drain Type
FE	F: Filter	M5: M5 M7: M7 Qs4: Push-in fitting QS4 Qs6: Push-in fitting QS6 01: G1/8 " 02: G1/4 " 03: G3/8 " 04: G1/2 " 06: G3/4 " 10: G1 "	Blank: 40 μ m 5M: 5 μ m	MICRO: Body dimension 25mm MINI: Body dimension 40mm MIDI: Body dimension 55mm MAXI: Body dimension 66mm (All without Connecting Plates)	Blank: Manual Drain H: Semi-Autodrain A: Full-Autodrain

Order Example:

FE series filter, 1/8 port size, 40 μ m filter precision, body dimension 40mm. manual drain, ERP code is: FEF-01 MINI

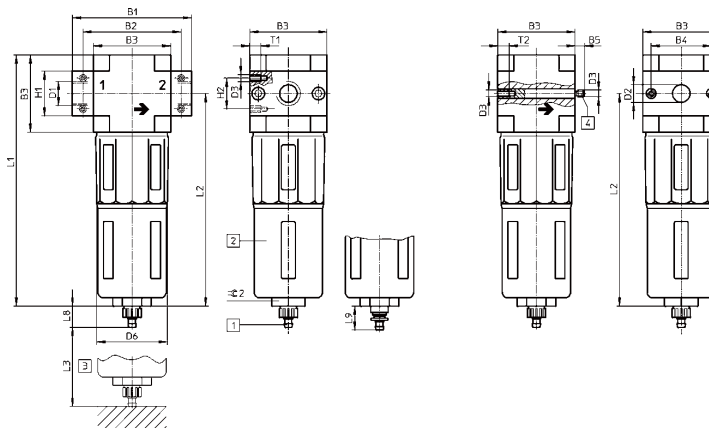
Specifications

Model	MINI			MIDI				MAXI		
	G1/8	G1/4	G3/8	G1/4	G3/8	G1/2	G3/4	G1/2	G3/4	G1
Gas interface	G1/8	G1/4	G3/8	G1/4	G3/8	G1/2	G3/4	G1/2	G3/4	G1
Working medium	Compressed air									
Structural characteristics	Sintered filter									
Installation	In the appendix									
	Installation position									
Valve lock	Vertical ± 5°									
Filtering level (μ m)	5 (or) 40									
The maximum water volume	22			43				80		
The input pressure										
The condensed water discharge	Manual			0.1~1.6MPa						
	Semi-automatic			0.15~1.6MPa						
	Fully automatic			0.2~1.2MPa						

Specifications

Model	Specifications	
	Rated flow (L/min)	Port size (G)
FEF-01-MINI	1300	1/8
FEF-02-MINI	1300	1/4
FEF-03-MINI	1300	3/8
FEF-02-MIDI	1300	1/4
FEF-03-MIDI	3000	3/8
FEF-04-MIDI	3000	1/2
FEF-06-MIDI	3000	3/4
FEF-04-MAXI	5900	1/2
FEF-06-MAXI	5900	3/4
FEF-10-MAXI	5900	1

Main Dimension



Model	B1	B2	B3	B4	D1	D3	D6 Ø	H1	H2
FEF-01-MINI	64	52	40	30	G1/8	M4	38	20	11
FEF-02-MINI	64	52	40	30	G1/4	M4	38	20	11
FEF-03-MINI	70	52	40	30	G3/8	M4	38	20	11
FEF-02-MIDI	85	70	55	43	G1/4	M5	52	32	22
FEF-03-MIDI	85	70	55	43	G3/8	M5	52	32	22
FEF-04-MIDI	85	70	55	43	G1/2	M5	52	32	22
FEF-06-MIDI	85	70	55	43	G3/4	M5	52	32	22
FEF-04-MAXI	96	80	66	46	G1/2	M5	65	32	22
FEF-06-MAXI	96	80	66	46	G3/4	M5	65	32	22
FEF-10-MAXI	116	91	66	46	G1	M5	65	40	22

Model	L1	L2	L3	L8	L9	T1	⌀ 2
FEF-01-MINI	144	124	60	15	19	7	22
FEF-02-MINI	144	124	60	15	19	7	22
FEF-03-MINI	144	124	60	15	19	7	22
FEF-02-MIDI	179	151	80	15	19	8	24
FEF-03-MIDI	179	151	90	15	19	8	24
FEF-04-MIDI	179	151	90	15	19	8	24
FEF-06-MIDI	179	151	90	15	19	8	24
FEF-04-MAXI	203	170	90	15	19	8	24
FEF-06-MAXI	203	170	90	15	19	8	24
FEF-10-MAXI	203	170	90	15	19	8	24