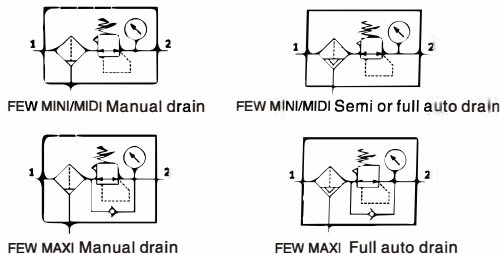


FEW Series Air Preparation Unit



FEW



How to Order?

Series No.	Type Code	Part Size	Regulate Range	Scale Unit	Filter Precision	Pressure Gauge Code	Regulator Type	Body Dimension	Drain Type
FE	W: Filter+regulator WS: Filter+regulator (With lock)	M5: M5 M7: M7 QS4: Push-in fitting QS4 QS6: Push-in fitting QS6 01: G 1/8" 02: G 1/4" 03: G 3/8" 04: G 1/2" 06: G 3/4" 10: G 1"	Blank: 0.5~12 bar 7: 0.5~7 bar	Blank: MPa/Bar 6: Bar/Psi	Blank: 40 μm 5M: 5 μm	DI: Directly actuate pressure regulator with integrated return flow function (FEC and MAXI size only) Blank: With pressure gauge N: No pressure gauge		MICRO: Body dimension 25mm MINI: Body dimension 40mm MIDI: Body dimension 55mm MAXI: Body dimension 66mm (All without Connecting Plates)	Blank: Manual Drain H: Semi-Autodrain A: Full-Autodrain

Order Example:

FE series filter+regulator, 1/8 port size, pressure regulate range 0.5~12 bar, 40 μm filter precision, body dimension 40mm. manual drain, ERP code is: FEW-01 MINI

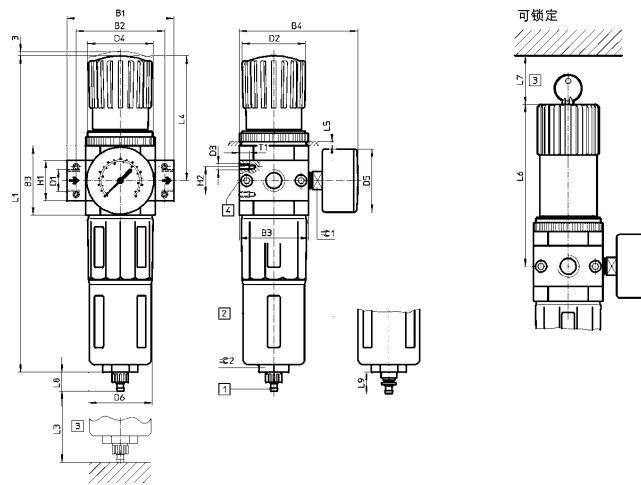
Specifications

Model	MINI			MIDI			MAXI			
	G 1/8	G 1/4	G 3/8	G 1/4	G 3/8	G 1/2	G 3/4	G 1/2	G 3/4	G 1
Gas interface										
Working medium	Compressed air									
Structural characteristics	Filter regulator, with/no pressure gauge The proportion of standard oil sprayer									
Installation	In the appendix Pipe installation									
Installation position	Vertical ±5°									
Valve lock	Rotary handle, With lock Rotary handle, With integrated lock									
Filtering level (μm)	5 (or) 40									
The maximum delay (MPa)				0.02						0.04
Pressure regulating range (MPa)							0.05~0.7			
							0.05~1.2			
Pressure display	The pressure gauge									
	G1/8 Preset			G1/4 Preset			G1/4 Preset			
The maximum water volume	22			43			80			
The input pressure										
The condensed water discharge	Manual			0.1~1.6MPa						
	Semi-automatic			0.15~1.6MPa						
	Fully automatic			0.2~1.2MPa						

Specifications

Model	Specifications	
	Rated flow (L/min)	Port size (G)
FEW-01-MINI	1000	1/8
FEW-02-MINI	1000	1/4
FEW-03-MINI	1000	3/8
FEW-02-MIDI	2200	1/4
FEW-03-MIDI	2200	3/8
FEW-04-MIDI	2200	1/2
FEW-06-MIDI	2200	3/4
FEW-04-MAXI	10000	1/2
FEW-06-MAXI	10000	3/4
FEW-10-MAXI	10000	1

Main Dimension



Model	B1	B2	B3	B4	D1	D2	D3	D4	D5	D6
FEW-01-MINI	64	52	40	76	G1/8	31	M4	M36x 1.5	41	38
FEW-02-MINI	64	52	40	76	G1/4	31	M4	M36x 1.5	41	38
FEW-03-MINI	70	52	40	76	G3/8	31	M4	M36x 1.5	41	38
FEW-02-MIDI	85	70	55	95	G1/4	50	M5	M52x 1.5	50	52
FEW-03-MIDI	85	70	55	95	G3/8	50	M5	M52x 1.5	50	52
FEW-04-MIDI	85	70	55	95	G1/2	50	M5	M52x 1.5	50	52
FEW-06-MIDI	85	70	55	95	G3/4	50	M5	M52x 1.5	50	52
FEW-04-MAXI	96	80	66	107	G1/2	31	M5	M36x 1.5	50	65
FEW-06-MAXI	96	80	66	107	G3/4	31	M5	M36x 1.5	50	65
FEW-10-MAXI	116	91	66	107	G1	31	M5	M36x 1.5	50	65

Model	H1	H2	L1	L3	L4	L5	L6	L7	L8	L9	T1	1	2
FEW-01-MINI	20	11	193	60	68	3	98	60	15	19	7	14	22
FEW-02-MINI	20	11	193	60	68	3	98	60	15	19	7	14	22
FEW-03-MINI	20	11	193	60	68	3	98	60	15	19	7	14	22
FEW-02-MIDI	32	22	250	80	99	5	130	60	15	19	8	14	24
FEW-03-MIDI	32	22	250	80	99	5	130	60	15	19	8	14	24
FEW-04-MIDI	32	22	250	80	99	5	130	60	15	19	8	14	24
FEW-06-MIDI	32	22	250	80	99	5	130	60	15	19	8	14	24
FEW-04-MAXI	32	22	252	90	82	4	111	60	15	19	8	14	24
FEW-06-MAXI	32	22	252	90	82	4	111	60	15	19	8	14	24
FEW-10-MAXI	40	22	252	90	82	4	111	60	15	19	8	14	24